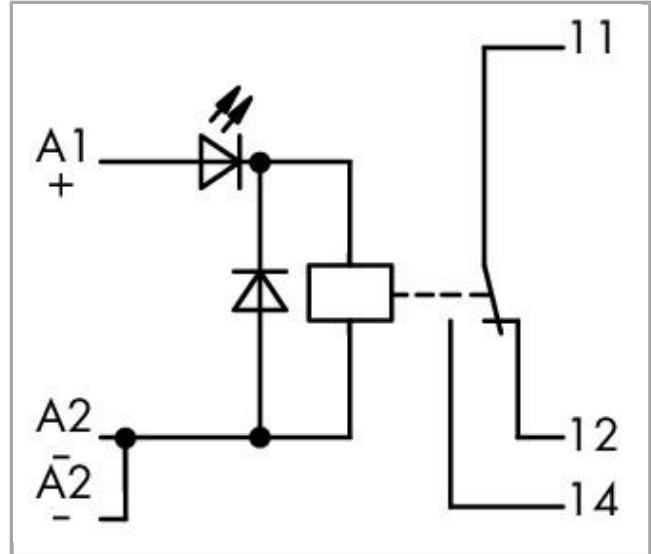
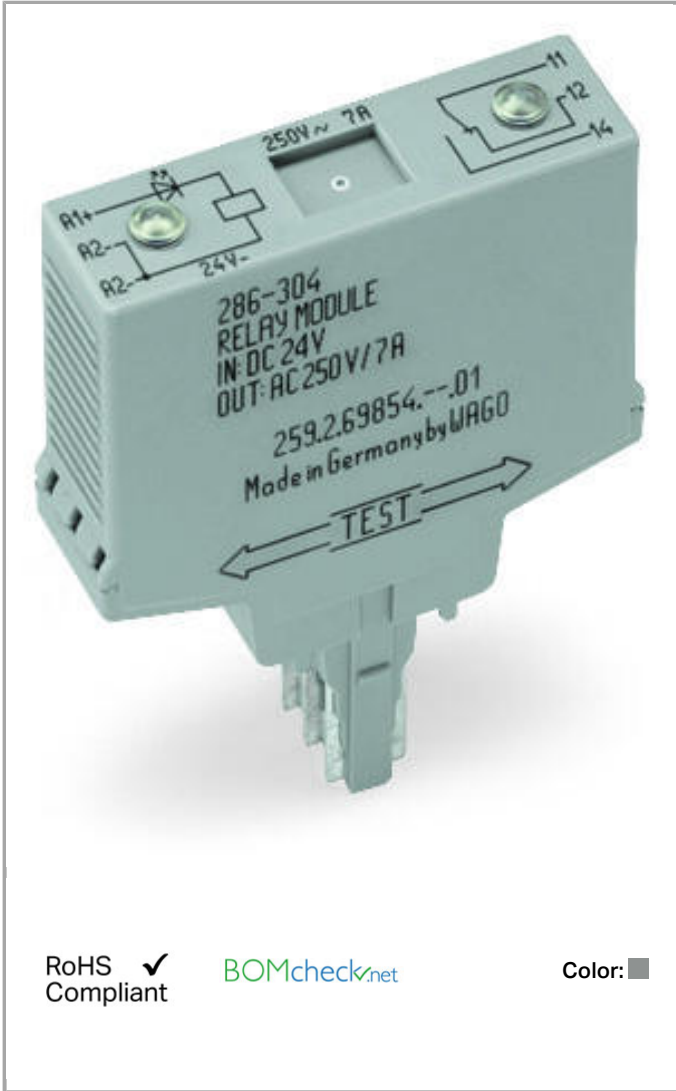


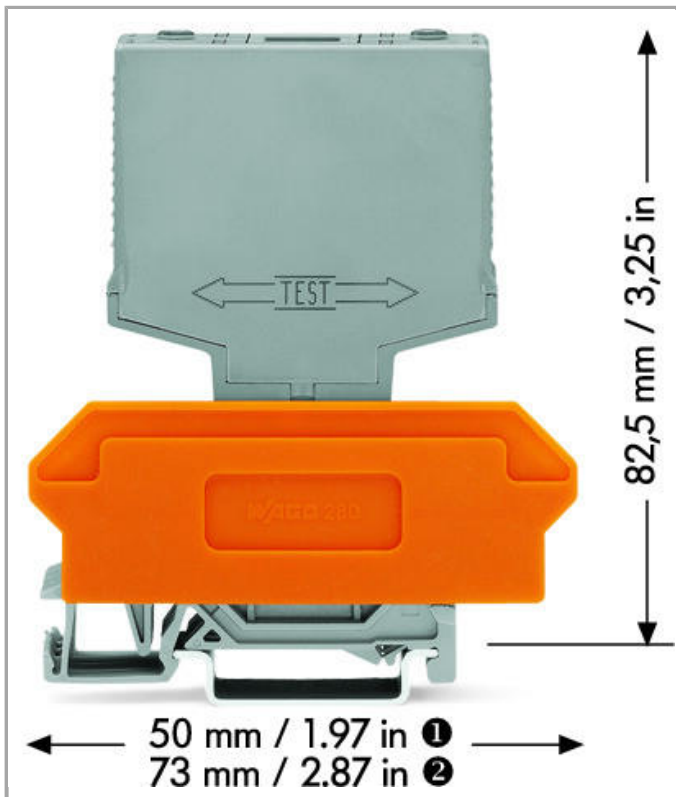
Data sheet | Item number: 286-307/004-000

Relay module; Nominal input voltage: 110 VDC; 1 changeover contact;
Limiting continuous current: 7 A; Path; Red status indicator; Module width: 15 mm



286-307/004-000





Data

Technical Data

Control circuit

Nominal input voltage U_N	DC 110 V
Input voltage range	-30 ... +25 %
Nominal input current at U_N	4.8 mA

Load circuit:

Number of changeover/switchover contacts	1
Contact material (relay)	AgNi 0.15
Limiting continuous current	7 A
Max. switching voltage	AC 250 V
Max. switching power (resistive)	AC 1,750 VA
Min. switching current	0 μ A
Pull-in time (typ.)	8 ms
Drop-out time (typ.)	6 ms
Bounce time (typ)	4 ms
Drop-out time	$\leq 0 \mu$ s

Signaling

Status indication	LED red
-------------------	---------

Safety and protection:

Rated voltage	250 V
Rated impulse voltage	4 kV
Pollution degree	2
Dielectric strength, control/load circuit (AC, 1 min)	4 kVrms
Dielectric strength open contact (AC, 1 min)	1 kVrms
Protection class	IP20

Geometrical Data

Width	15 mm / 0.591 inch
Height from upper-edge of DIN-35 rail	82.5 mm / 3.248 inch
Depth	52 mm / 1.654 inch

Mechanical data

Type of mounting	Pluggable module for carrier terminal blocks
------------------	--

Material Data

Color	gray
Fire load	0 MJ
Weight	23.1 g

Environmental Requirements

Pollution degree	2
Surrounding air (operating) temperature at U_N	-25 ... 70 °C
Surrounding air (storage) temperature	-25 ... 70 °C

Standards and specifications




Standards/specifications	EN 60664-1
--------------------------	------------

Commercial data

Product Group	6 (Interface Electronics)
Country of origin	DE
GTIN	4045454709105
Customs Tariff No.	85364900990

Compatible products

Marking accessories

	Item no.: 209-701 WSB marking card; as card; not stretchable; plain; snap-on type		209-701
	Item no.: 209-701/000-002 WSB marking card; as card; not stretchable; plain; snap-on type	/000-002	209-701
	Item no.: 209-701/000-005 WSB marking card; as card; not stretchable; plain; snap-on type	/000-005	209-701
	Item no.: 209-701/000-006 WSB marking card; as card; not stretchable; plain; snap-on type	/000-006	209-701
	Item no.: 209-701/000-007 WSB marking card; as card; not stretchable; plain; snap-on type	/000-007	209-701
	Item no.: 209-701/000-012 WSB marking card; as card; not stretchable; plain; snap-on type	/000-012	209-701
	Item no.: 209-701/000-017 WSB marking card; as card; not stretchable; plain; snap-on type	/000-017	209-701
	Item no.: 209-701/000-023 WSB marking card; as card; not stretchable; plain; snap-on type	/000-023	209-701
	Item no.: 209-701/000-024 WSB marking card; as card; not stretchable; plain; snap-on type	/000-024	209-701

Downloads

Documentation

Bid Text

286-307/004-000 Relaisbaustein	Jan 22, 2016	doc 27.1 kB	Download
-----------------------------------	--------------	----------------	----------

Additional Information

Disposal; Electrical and electronic equipment, Packaging	V 1.0.0	pdf 265.8 kB	Download
--	---------	-----------------	----------



Subject to changes.
